





---

# LOW VOLTAGE DEVICES

## SOCKET OUTLETS BOWA SERIES

### Socket outlets BOWA series

Cover BOWA.94 METAL	26
Cover BOWA.94 RAL	26
Base for BOWA.94	27
Cover BOWA.112 METAL	28
Cover BOWA.112 RAL	28
Base for BOWA.112	29
Die-Cast Aluminium Built-In Socket Outlets	30

# BOWA.94 METAL

Cover 94 x 94 mm



## COVER WITH HINGED LID STAINLESS STEEL, MATT

drip-proof IP41

ARTICLE NO.	WEIGHT G/EACH	PACK. UNIT
1471ESM	315	1

1471ESM	315	1
---------	-----	---



## COVER WITH HINGED LID PLATINUM, MATT

drip-proof IP41

ARTICLE NO.	WEIGHT G/EACH	PACK. UNIT
1471PLM	315	1

1471PLM	315	1
---------	-----	---



## COVER WITH HINGED LID BRASS, MATT

drip-proof IP41 · Brass develops a natural patina. We recommend acrylic-based sealants.

ARTICLE NO.	WEIGHT G/EACH	PACK. UNIT
1471MSM	315	1

1471MSM	315	1
---------	-----	---



## COVER WITH HINGED LID GOLD, MATT

drip-proof IP41

ARTICLE NO.	WEIGHT G/EACH	PACK. UNIT
1471AUM	315	1

1471AUM	315	1
---------	-----	---

# BOWA.94 RAL

Cover 94 x 94 mm

**NEW**



## COVER WITH HINGED LID IN ALL RAL COLOURS

printed  
drip-proof IP41


ARTICLE NO.	WEIGHT G/EACH	PACK. UNIT
BWKXXXX	315	1

BWKXXXX	315	1
XXXX = RAL colour number		

# BOWA.94

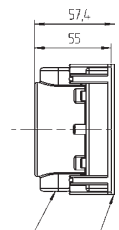
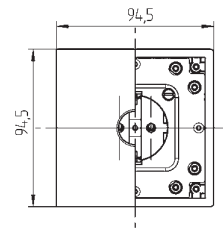
Base 94 x 94 mm



**BASE SCHUKO**   
made of thermoplastic  
with SCHUKO socket outlet  
with two M20

ARTICLE NO.	WEIGHT G/EACH	PACK. UNIT
1471601	125	1

1471601	125	1
---------	-----	---



2 x M20  
Mounting cover

# BOWA.94 BUILT-IN SOCKET OUTLET WITH FRENCH / BELGIAN EARTHING SYSTEM

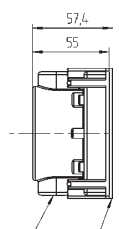
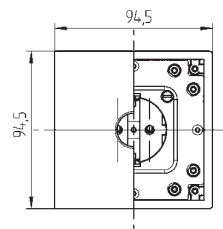
complies with Belgian (NBN C61-112) and French (NF C61-314) standards



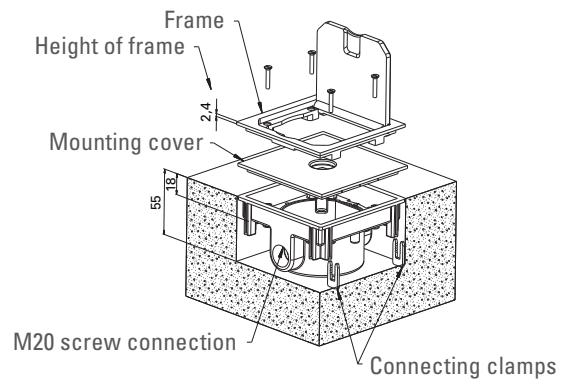
**BASE**  
made of thermoplastic  
with French/Belgian Earthing  
System **and with shutter**  
with two M20

ARTICLE NO.	WEIGHT G/EACH	PACK. UNIT
1471602	125	1

1471602	125	1
---------	-----	---



2 x M20  
Mounting cover



# BOWA.112 METAL

Cover 112x112 mm



## COVER WITH HINGED LID STAINLESS STEEL, MATT

drip-proof IP41

ARTICLE NO.	WEIGHT G/EACH	PACK. UNIT
1632ESM	498	1

1632ESM	498	1
---------	-----	---



## COVER WITH HINGED LID PLATINUM, MATT

drip-proof IP41

ARTICLE NO.	WEIGHT G/EACH	PACK. UNIT
1632PLM	498	1

1632PLM	498	1
---------	-----	---



## COVER WITH HINGED LID BRASS, MATT

Brass develops a natural patina.  
We recommend acrylic-based sealants.

ARTICLE NO.	WEIGHT G/EACH	PACK. UNIT
1632MSM	498	1

1632MSM	498	1
---------	-----	---



## COVER WITH HINGED LID GOLD, MATT

drip-proof IP41

ARTICLE NO.	WEIGHT G/EACH	PACK. UNIT
1632AUM	498	1

1632AUM	498	1
---------	-----	---

# BOWA.112 RAL

Cover 112x112 mm

**NEW**



## COVER WITH HINGED LID IN ALL RAL COLOURS

printed  
drip-proof IP41

ARTICLE NO.	WEIGHT G/EACH	PACK. UNIT
BWGXXXX	498	1


BWGXXXX	498	1
---------	-----	---

XXXX = RAL colour number

# BOWA.112

Base 112 x 112 mm

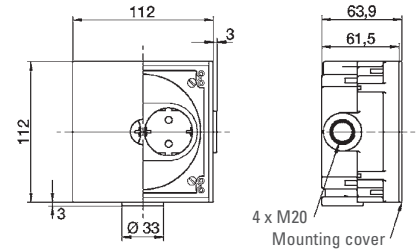


**BASE SCHUKO** 

made of thermoplastic  
with double SCHUKO socket outlet  
with four M20

ARTICLE NO.	WEIGHT G / EACH	PACK. UNIT
1632602	281	1

1632602	281	1
---------	-----	---



**HOUSING BASE**

made of thermoplastic  
with four M20

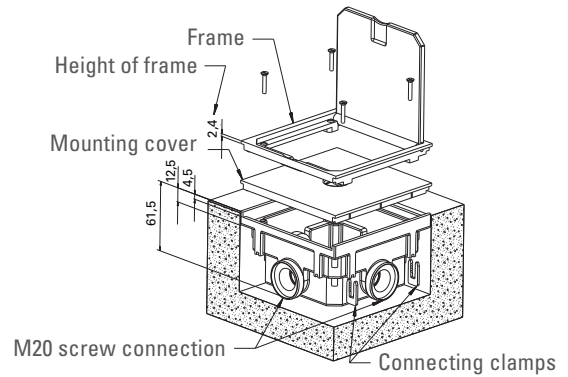
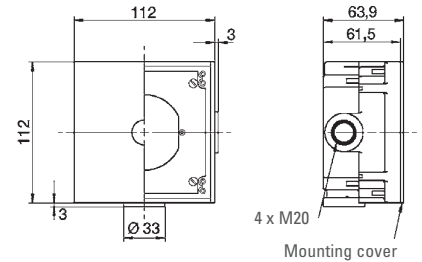
ARTICLE NO.	WEIGHT G / EACH	PACK. UNIT
1632500	187	1

1632500	187	1
---------	-----	---

All standard socket outlets with an 80 mm cover and support ring fastening available for installation engineering, communication and telecommunications can be mounted into the 1632500 enclosure.

A mounting cover for height adjustment is supplied to aid in the installation of BOWA.94 and BOWA.112.

Thanks to connecting clips, BOWA.94 and BOWA.112 can be easily mounted side by side.



# SOCKET OUTLETS

Aluminium die-cast

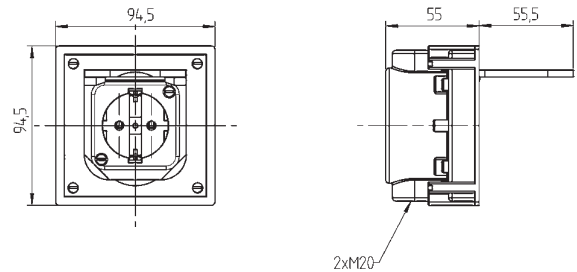


## SCHUKO SOCKET OUTLET

drip-proof IP41  
Cover with hinged lid from aluminium die-cast  
Base made of thermoplastic with two M20  
· with shutter (1471461)  
· without shutter (1471461)

COLOUR	ARTICLE NO.	WEIGHT G/EACH	PACK. UNIT
--------	-------------	---------------	------------

grey	1471460	301	1
grey	1471461	301	1

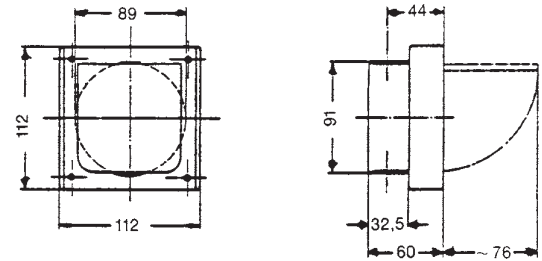


## SCHUKO DOUBLE SOCKET OUTLET

drip-proof IP41  
Cover with hinged lid and base  
Cover made from aluminium die-cast with two M20

COLOUR	ARTICLE NO.	WEIGHT G/EACH	PACK. UNIT
--------	-------------	---------------	------------

grey	1632490	575	1
------	---------	-----	---

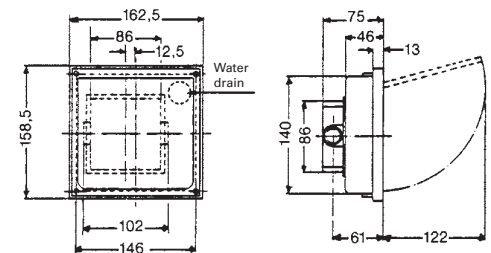


## SCHUKO SOCKET OUTLET

Socket outlet component watertight to IP66  
Cover with hinged lid from aluminium die-cast  
Base made of Thermoplastic with two M20

COLOUR	ARTICLE NO.	WEIGHT G/EACH	PACK. UNIT
--------	-------------	---------------	------------

grey	1471360	740	1
------	---------	-----	---



If unit is floor mounted, the knockout in the base should be used as an outflow in the event of water seeping in.



## HOUSING

drip-proof IP41  
Cover with hinged lid from aluminium die-cast  
Base made of thermoplastic with four M20

COLOUR	ARTICLE NO.	WEIGHT G/EACH	PACK. UNIT
--------	-------------	---------------	------------

grey	1632497	375	1
------	---------	-----	---

